

Amana® Commercial

Project #: _____

Item #: _____



Market Regions: **Europe (UK)**

Value Line | Low Volume
This category of microwave oven is ideal for...

Applications

- Convenience Stores
- Dessert stations
- Nurses stations
- Coffee shops
- Teachers/Staff lounge
- Vending

Boost heats and re-therms foods in seconds

- Slice of apple pie re-therms in 20 seconds
- 255g (9 oz.) cup of chili re-therms in 1:45

All ACP, Inc. commercial ovens are supported by our Culinary Center. Do not hesitate to contact us for any questions regarding food preparation, menu development and cooking times: testkitchen@acpsolutions.com



Low Volume

Amana® Commercial Microwave Model AMS510DSUA

Power Output

- 1000 watts of power
- Perfect replacement for inappropriate domestic ovens used in foodservice applications

Available with Touch or Dial Controls

- **Touch controls:**
 - 20 programmable menu items simplifies cooking
 - 5 power levels and 4 cooking stages for cooking flexibility
 - Multiple quantity pad calculates the proper cooking times for multiple portions
- **Dial Controls:**
 - Timer automatically resets to zero if door is opened during heating
 - 6 minute digital timer lights up for "at-a-glance" monitoring
 - Full power only for simple operation

Easy to Use

- See-through door and lighted interior for monitoring without opening the door
- 23 liter (0.8 cubic foot) capacity accommodates a 305mm (12") platter, prepackaged foods and single servings

Certified Oven for Commercial Applications

- Tested to higher standards for a commercial rating —required by most commercial insurance policies and health inspectors
- Interlock safety switch is tested to 4 times the standard of residential ovens
- Constructed to withstand the foodservice environment, multiple users and variable ambient temperatures
- Compared to a residential oven, this oven is more powerful for faster heating and better quality results
- Engineered for a simple, "self-service" operation

Easy to Maintain

- Stainless steel exterior wrap, door, and oven interior for increased durability
- Sealed-in Borosilicate Glass shelf for easy cleaning

Service

All products are backed by the ACP, Inc.
24/7 ComServ Support Center

Warranty

Warranty Certificate for this product can be found on the ACP, Inc. website at www.acpsolutions.com/warranty

Safety and Sanitation

This ACP, Inc. product meets and exceeds safety and sanitation standards set for commercial microwave ovens by UL, ETL, NSF, CSA, FDA, and CE



866-811-8559



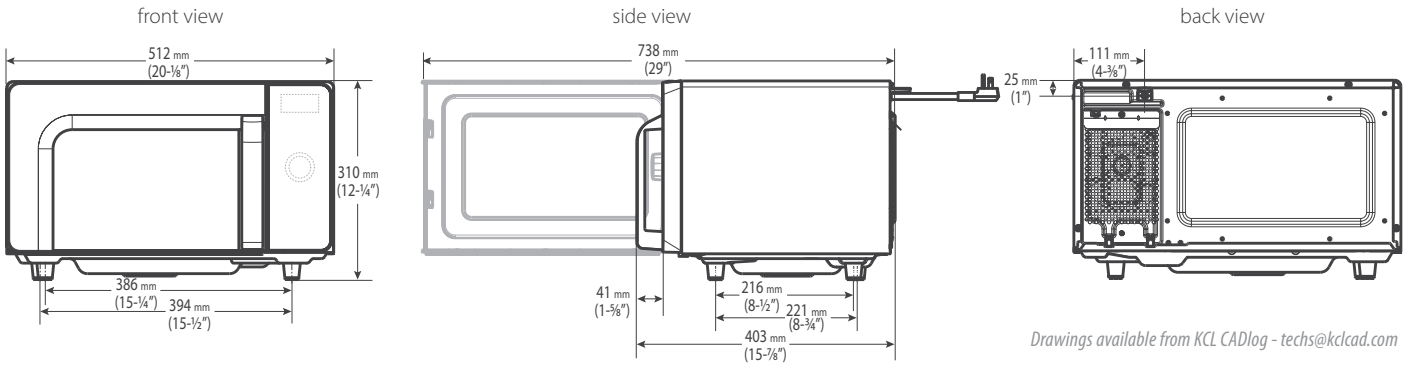
AIA File #:

Specification #:



Amana® Commercial Microwave Model AMS510DSUA | Low Volume

Europe (UK)



| Dimensions | | | |
|-------------------------|---------------------------|-----------------|------------------|
| Exterior | H 310 (12 1/4") | W 512 (20 1/8") | D† 403 (15 7/8") |
| Cavity | H 197 (7 3/4") | W 330 (13") | D 330 (13") |
| Usable Cavity Space | 23 liter (0.8 cubic ft.) | | |
| Door Depth | 738 (29"), 90°+ door open | | |
| Installation Clearances | Top: 177.8 (7") | Sides: 25 (1") | Back: None |
| Shipping Carton | H 381 (15") | W 584 (23") | D 457 (18") |
| Weight | | | |
| Product Weight | Ship weight (approx.) | UPS Shippable | |
| 13.6 kg. (30 lbs.) | 16.8 kg. (37 lbs.) | Yes | |

| Features | |
|--------------------------|--------------------------|
| Configuration | Countertop |
| Stackable | No |
| Display | Lighted Dial |
| Control System | Dial |
| Programmable Control | No |
| Braille | No |
| Settings Programmable | - |
| Max. Cooking Time | 6:00 |
| Microwave Distribution | Rotating stirrer, bottom |
| Power Levels | 1 |
| Defrost | No |
| Time Entry Option | Yes |
| Multiple Portion Setting | No |
| Stage Cooking | 1 stage |
| Interior Light | Yes, LED, 42lm |
| Automatic Voltage Sensor | No |
| Air Filter | No |
| Signal | End of cycle |
| Door Handle | Grab & Go |
| Exterior Finish | Stainless steel |
| Interior Finish | Stainless steel |

Optional Accessories

- Oven cavity shelf (SE10)
- Non-stick baskets (TB10/S, SB10/S, MB10/S)
- Stainless cart/equipment stands: (CA24, CA30)

Measurements are millimeters. Measurements in () are US Standard

* IEC 60705 Tested

† Includes handle

EMEA = Europe, the Middle East and Africa; APAC = Asia Pacific and Oceania; LATAM = Latin America

Electrical Configuration

| Region | Model#/UPC | Control System | Power Consumption | Power Output (microwave) | Power Source | Plug Configuration | Cord Length | Frequency | Magnetron |
|------------------------------|----------------------------|----------------|-------------------|--------------------------|--|--------------------|-----------------|-----------|-----------|
| EMEA (UK), APAC single phase | AMS510DSUA 728028471281 | Dial | 1500 W, 7.3 A | 1000 W* | 230-240 V, 50 Hz, 13 A single phase | BS1363/A | 1.5m (5 ft.) | 2450MHz | 1 |

Specification #:

AIA File #:



225 49th Ave. Dr. SW, Cedar Rapids, IA 52404 U.S.A.
800-233-2366 • 319-368-8120 • Fax: 319-368-8198
www.acpsolutions.com

Part No. 20271103

Updated 02/24/2021

© 2021 ACP, Inc., Cedar Rapids, Iowa 52404

an Ali Group Company



The Spirit of Excellence