



Market Region: North America

**Chef Line | Heavy Volume**  
This category of microwave oven is ideal for...

#### Applications

- Fast casual dining
- Prep stations
- Bars & grills
- Quick service restaurants
- Casual dining
- Convenience stores
- Bakery cafés
- Kiosks
- Food courts

#### Through put potential by oven wattage (items per hour)

Food item	1000W	1200W	1800W	2100W
Steamed Shrimp (8oz (227g))	22	23	33	38
Scrambled Eggs (4oz (120g))	48	51	65	72
Steamed Rice (8cups (1.2kg))	2	3	5	7
1 Baked potato (9oz (255g))	17	18	21	29
Salmon fillet (8oz (227g))	19	20	26	29
Chocolate Cake in a Cup	57	60	80	97
Fresh Steamed Veggies (6oz (170g))	45	48	65	80
Asparagus (8oz (227g))	29	30	45	51
Dumplings (6ea)	19	19	24	28

All ACP, Inc. commercial ovens are supported by our Culinary Center. Do not hesitate to contact us for any questions regarding food preparation, menu development and cooking times: [testkitchen@acpsolutions.com](mailto:testkitchen@acpsolutions.com)



## Heavy Volume MenuMaster<sup>®</sup> Commercial MDC-Y Series

#### Power Output

- 1000-2100 Watts of power
- Unique method of microwave energy distribution provides superior even heating throughout the entire cavity

#### Multi-language universal operation, with programming flexibility

- Oven interface and programming software supports 24 languages
- Smart USB connectivity standard
- Compatible with ACP Programming Application

#### Easy to Use

- Control panel located on bottom for convenient access when installed on shelf
- Up to 100 programmable menu items simplifies cooking
- 11 power levels and 4 cooking stages for cooking flexibility
- Multiple quantity function automatically calculates cooking times for multiple portions
- Automatic Voltage Sensor adjusts to the power supply (*North America only >1200W*)
- See-through door and lighted interior for monitoring without opening the door
- Ample 0.6 cubic ft. (17 liter) capacity accommodates a standard half-sized pan
- Stackable to save valuable counter space

#### Easy to Maintain

- Stainless steel exterior and interior for easy cleaning and increased durability
- Two side-mounted, removable, cleanable air filter protect oven components
- Constructed to withstand the foodservice environment, multiple users and variable ambient temperatures
- Gasket sealed Borosilicate Glass tray for easy cleaning
- Interlock switch assembly is engineered for maximum durability and long life

#### Optional Accessories

- Cavity shelf (SE10)
- Stainless cart/equipment stands: (CA24, CA30)
- Non-stick baskets (TB10/S, SB10/S, MB10/S)
- Oven Cleaner and Shield Protectant (CL10, SH10)

#### Service

All products are backed by the ACP, Inc. 24/7 ComServ Support Center



#### Warranty

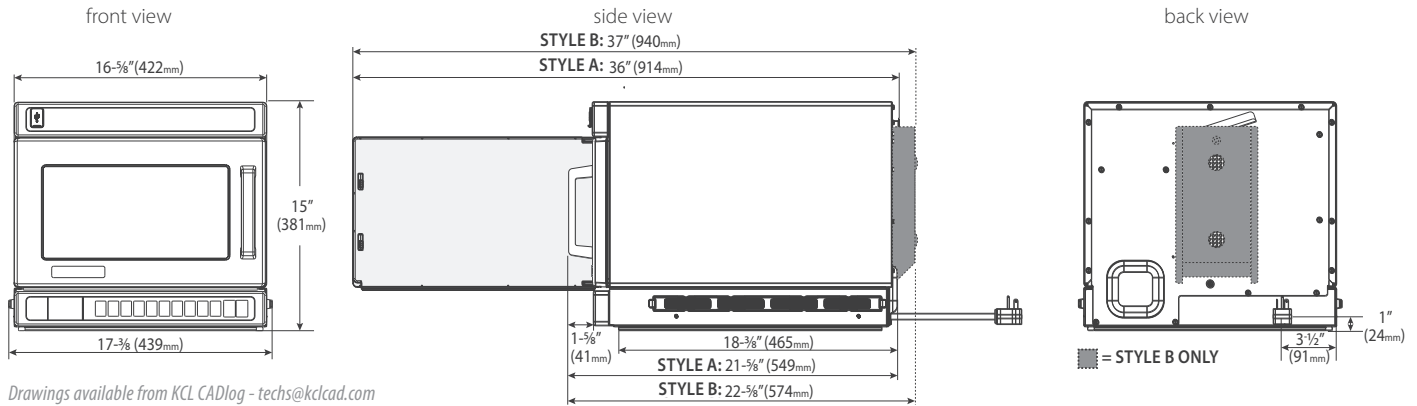
Warranty Certificate for this product can be found on the ACP, Inc. website at [www.acpsolutions.com/warranty](http://www.acpsolutions.com/warranty)



#### Safety and Sanitation

This ACP, Inc. product meets and exceeds safety and sanitation standards set for commercial microwave ovens by UL, ETL, NSF, CSA, and FDA.





Drawings available from KCL CADlog - techs@kclcad.com

Dimensions		STYLE A	STYLE B
Exterior	Height	15" (381)	15" (381)
	Width	17 5/8" (439) ‡	17 5/8" (439) ‡
	Depth†	21 5/8" (549)†	22 5/8" (574)†
Cavity	Height	6 3/4" (171)	6 3/4" (171)
	Width	13" (330)	13" (330)
	Depth	12" (305)	12" (305)
Usable Cavity Space		0.6 cubic ft. (17 liter)	0.6 cubic ft. (17 liter)
Door Depth		36" (914), 90°+ door open	37" (940), 90°+ door open
Installation Clearance	Top	2" (51)	2" (51)
	Sides	1" (25)	1" (25)
	Back	None	None
Shipping Carton	Height	19 1/8" (485.8)	19 1/8" (485.8)
	Width	22" (558.8)	22" (558.8)
	Depth	25 1/2" (647.7)	25 1/2" (647.7)
<b>Weight</b>			
Product Weight		Ship weight (approx.)	UPS Shippable
71 lbs (32.2kg)		77 lbs (34.9kg)	Yes, ISTA 1A

Features	
Configuration	Countertop or shelf
Stackable	Yes
Display	LCD
Control System	Touchpad
Programmable Control	Yes, 10 pads
Braille	Overlay available
Settings Programmable	100
Max. Cooking Time	60:00
Microwave Distribution	Double rotating antennas, top and bottom
Power Levels	11
Defrost	Yes, power level 2
Time Entry Option	Yes
Multiple Portion Setting	Yes, X2 by default, optional up to X9
Stage Cooking	4 stages
Interior Light	Yes, LED
Automatic Voltage Sensor	Yes (North America only >1200W)
Air Filter	Yes, 2 removable
Signal	End of cycle, adjustable
Door Handle	Grab & Go
Exterior Finish	Stainless steel
Interior Finish	Stainless steel with gasket sealed borosilicate tray

Measurements are US Standard. Measurements in ( ) are in millimeters

\* IEC 60705 Tested

† Includes handle

‡ Includes filters

Electrical Configuration											
Region	Model#/UPC	Automatic Voltage Sensor	Exterior Depth Style	Power Consumption	Power Output (microwave)	Power Source	Plug Configuration		Cord Length	Frequency	Magnetron
North America single phase	<b>MDC10Y15</b> 728028470987	No	A	1610W, 14.4 A	1000W*	120V, 60Hz, 15A, single phase	NEMA 5-15P		5 ft. (1.5m)	2450MHz	2
North America single phase	<b>MDC12YA2</b> 728028471014	No	A	2000W, 16.8 A	1200W*	120V, 60Hz, 20A, single phase	NEMA 5-20		5.5 ft. (1.7m)	2450MHz	2
North America single phase	<b>MDC18Y2</b> 728028471021	Yes	A	3000W, 14.4 A	1800W*	208/240V, 60Hz, 20A, single phase	NEMA 6-20		5.5 ft. (1.7m)	2450MHz	2
North America single phase	<b>MDC21Y2</b> 728028471144	Yes	B	3400W, 17.5 A	2100W*	208/240V, 60Hz, 20A, single phase	NEMA 6-20		5.5 ft. (1.7m)	2450MHz	2

Specification #:

AIA File #:



225 49th Ave. Dr. SW, Cedar Rapids, IA 52404 U.S.A.  
800-233-2366 • 319-368-8120 • Fax: 319-368-8198  
www.acpsolutions.com

Part No. 20271314

Updated 1/21/2021

© 2021 ACP, Inc., Cedar Rapids, Iowa 52404

an Ali Group Company



The Spirit of Excellence